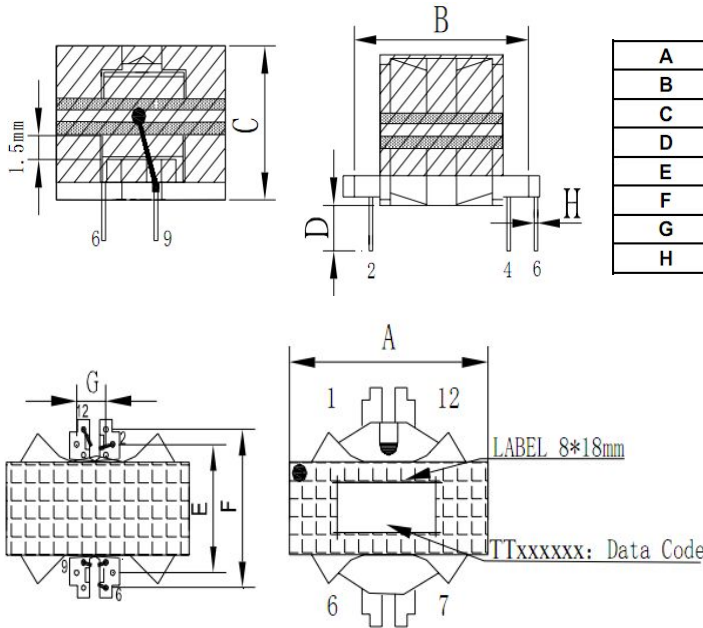
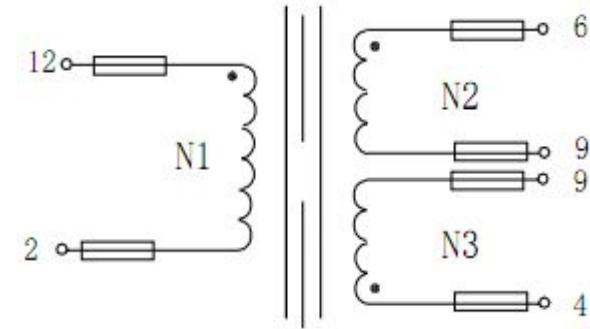


CUSTOMER TERMINAL	ROHS	Lead(Pb)-free
	YES	YES

1. Mechanical Dimensions



2. Schematic Diagram



3. Material List

Core:FW44 RM10
 Bobbin:FWB1005(6+6PIN)
 Wire:2UEW LITZ
 Copper foil: 0.025t*8.0mm
 Operating Temperature: -30 to115 °C

4. Electrical Specification

Inductance : $L(12-2):420\mu H \pm 5\%$ 40KHZ , 1.0V
 DCR : $(2-12)=0.3427\Omega$ MAX
 Hi-Pot:N1-N2: AC 60Hz 1000V 1mA 3S
 N1-CORE:AC 60Hz 1000V 1mA 3S

REV.	DATE	 Convention Placement	DRW.	Drawing Title:	Part No:		
0	00/00		CHK.			TRANSFORMER	FWPTRM10V421J-1
			APP.			Customer P/N	Specification Sheet 1of 1

ROHS

www.ferriwo.com